

- Wired siren, triggered by high/ low electrical level;
- Wireless siren, triggered by radio instruction

### Specification

- Operating Voltage: 9.0-16.0VDC
- Typical Voltage: 13.8VDC
- Standby Current: <40mA @ 13.8V
- Alarm Current: <1200mA @ 13.8V
- Flashing lights Consumption: 1.4W @13.8V
- Max Consumption: 16.0W @13.8V
- Sound Frequency: 500~8000Hz
- Noise Intensity: 120dB/1M
- Backup battery: 3.2AH 12VDC
- Operating temperature: -20℃~+60℃
- Radio Frequency: 433MHz/ 868MHz
- Size: 265\*265\*105mm

### Flashing and Flashing Mode

- Wavy flashing when standby;
- Quick flashing when alarm;
- Jumper J2 is used to turn on/ off flashing lights.

### Alarm Delay

- Sound/ light alarm will On when the system triggered; While Sound/ light

alarm will Off when the system disarmed.

### Installation, Connection and Matching

- The mounting location should be open visible. The mounting height cannot be touched by children; (Fig1)
- Drill 3 holes on the wall according to the instruction, and put the rubber stopper in the hole;(Fig4)
- Open the front cover and metal shield by screwdriver; (Fig2)
- Insert the cable for power supply and the signal. Fixed the bottom cover on the wall;
- Before installation, cut off the four plastic joints between the button and the bottom cover to make the anti-tamper button work normally. (Fig4)
- Notice the place of anode and cathode when connect the battery (3.2AH 12VDC).
- Connectors (Fig5)
  - +12-: AC input
  - TR+: High electrical level input; triggered light and sound alarm
  - TR-: Low electrical level input; triggered light and sound alarm
  - FL-: Low electrical level input; triggered only light alarm
  - TAMPER: Anti-tamper input. If it is unnecessary, please close jumper J3 And J8.
- Match wireless siren with control panel:
  - Aftermatching, wireless control panel send signal can start wireless siren. Otherwise the wireless siren cannot be started.

The ROISCOK's Diamond series outdoor siren (iDo101/ iDo101W) looks like a huge diamond, with anti-tamper, anti-broken, waterproof, fireproofing and other professional functions. When alarm, 120dB sound will be go off together with flashing. The outdoor siren has the function to keep intruders away because of the enormous psychological pressure to the intruder.

Backup battery can support siren when AC power be cut off.

iDo101W wireless outdoor siren adopts 433MHz/868MHz radio frequency.

The diamond series siren (iDo101/ iDo101W) is not only with powerful protection functions, but also an elegant decoration. Red diamond and blue diamond is available.

A diamond is forever !

### Main Features

- 6 types of alarm sound is optional;
- 6 tamper protection, for the top cover, for the bottom cover, for the metal shields and the installation with the wall. Top anti-tamper and anti-broken function;
- First-grade anti-broken function, double shell protection, with metal shield;
- Anti-tamper function;
- Sound and/ or light alarm mode is optional;
- Lights flicker with wavy way. Red light (red diamond) and blue light (blue diamond) available;
- With a battery charge function;
- Waterproof function;
- Fireproof function;
- DC operation mode;

Close jumperJ9 and then power on the wireless siren. The siren will be under the matching status and empty all the matched at the same time.

Press the panic button on the control panel(press key1 and key2 on iDo218CN at the same time and last 2 seconds),sending Secure Code to siren; close jumper J9, restore the siren to working status.

- The installation location should avoid large metal or strong magnetic interference;
- Lock the metal shield and front cover by screw orderly. Confirm whether the anti-tamper switch under the right on/off condition.
- Final, past the Logo label after testing.

### Working Status

- For wireless siren, open Jumper J9 to set it in working status; close J9 to set it in matching status;
- LED will stop flickering when the power is not enough.

### Testing

- Power on, until stable then start testing;
- Check whether the flashing light work normally under standby condition;
- Trigger the system; confirm whether it is quickly flashing and the alarm sound is correct.

### ROISCOK WARRANTY

The warranty is promised by ROISCOK Electronics Ltd. and all its partners to all of the users whom ROISCOK products enthusiast.

## iDo101/ iDo101W Wired/ Wireless Outdoor Siren



All products, within 18 months from the date leaving our plant besides the artificial damage, we take charge of the after service or replacement new one freely. After the time limit, we take charge of lifelong paid service. Regardless of the middle process or/and sale link, all of ROISCOK product has the right to enjoy the after service announced here. Any business agent, the dealer or installer has no right to refuse to provide the after service.

For quickly service, we hope the user to fill in "Return Products List" in detail together with the units. The goods may return directly to our company, agent, the dealer or installer. When necessary, the users are welcome send "User Complaint Letter" to us.

The Warranty go into effect from the date of July 1, 2007.

ROISCOK Electronics Ltd. is responsible to explain.

ROISCOK  
ROISCOK

**ROISCOK**  
ROISCOK ELECTRONICS LTD.  
[www.roiscok.com](http://www.roiscok.com)





Fig. 1 Installation

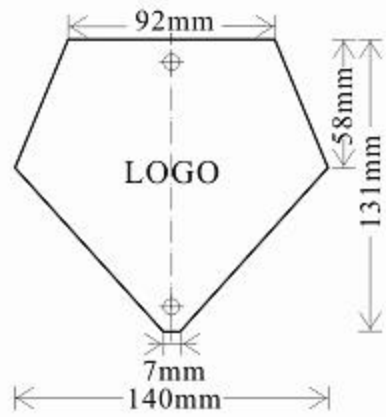


Fig. 3 Dimension



Tamper button

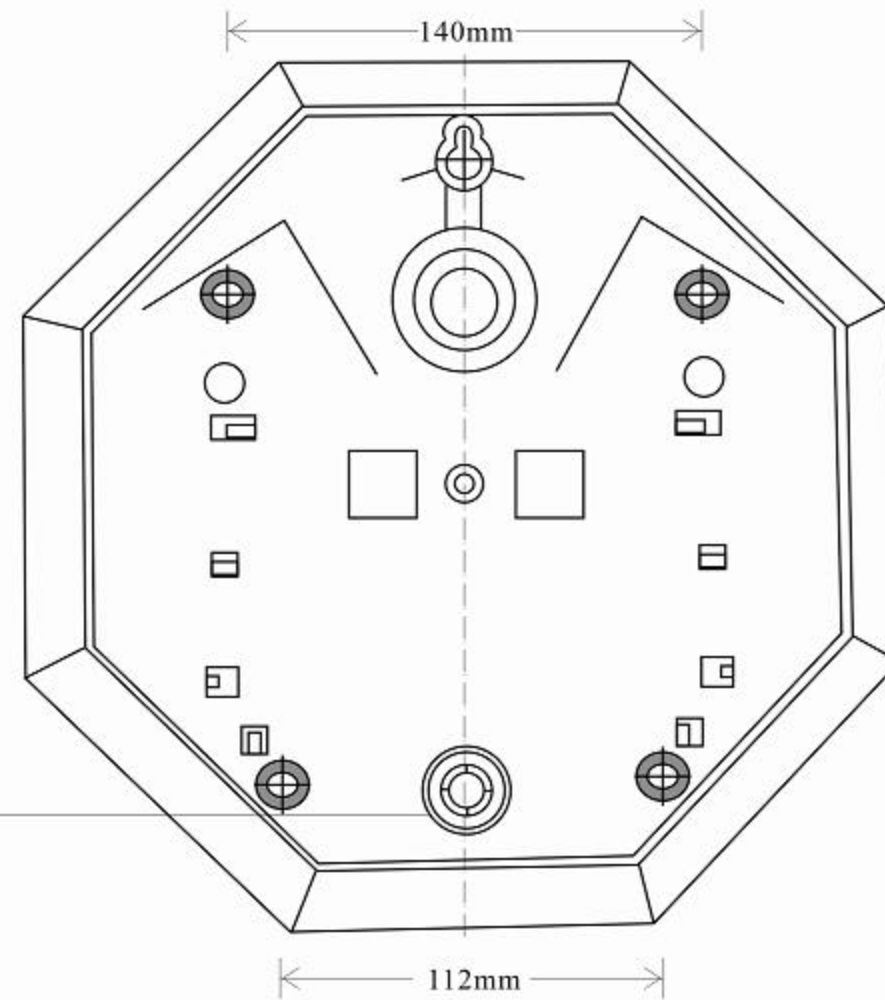
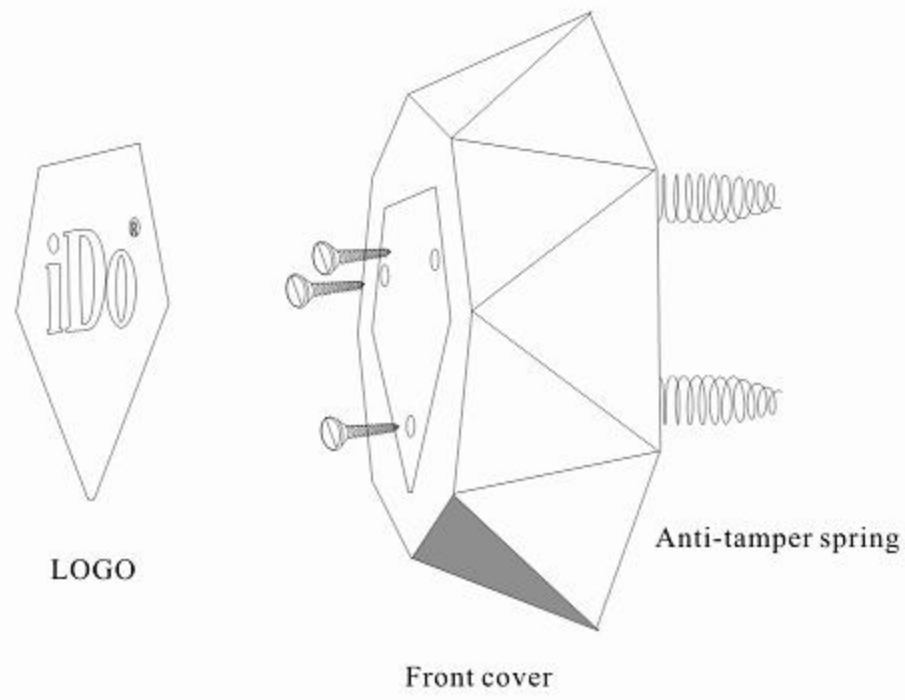


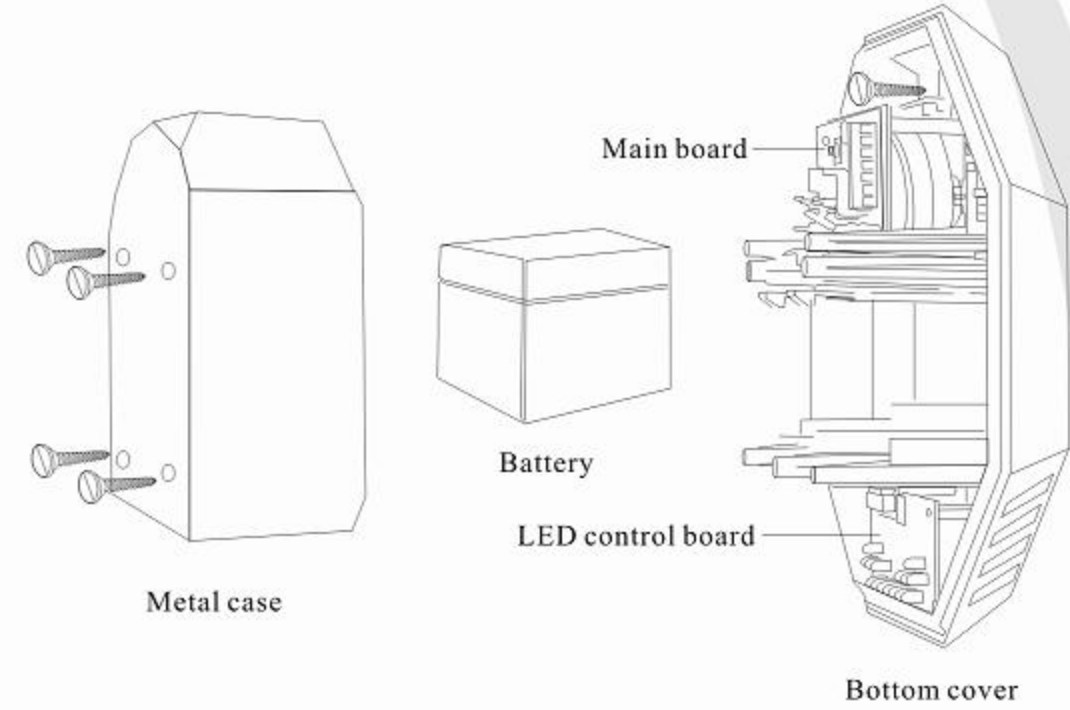
Fig. 4 Bottom cover



LOGO

Front cover

Anti-tamper spring



Metal case

Battery

LED control board

Bottom cover

Fig. 2 Assembly Diagram

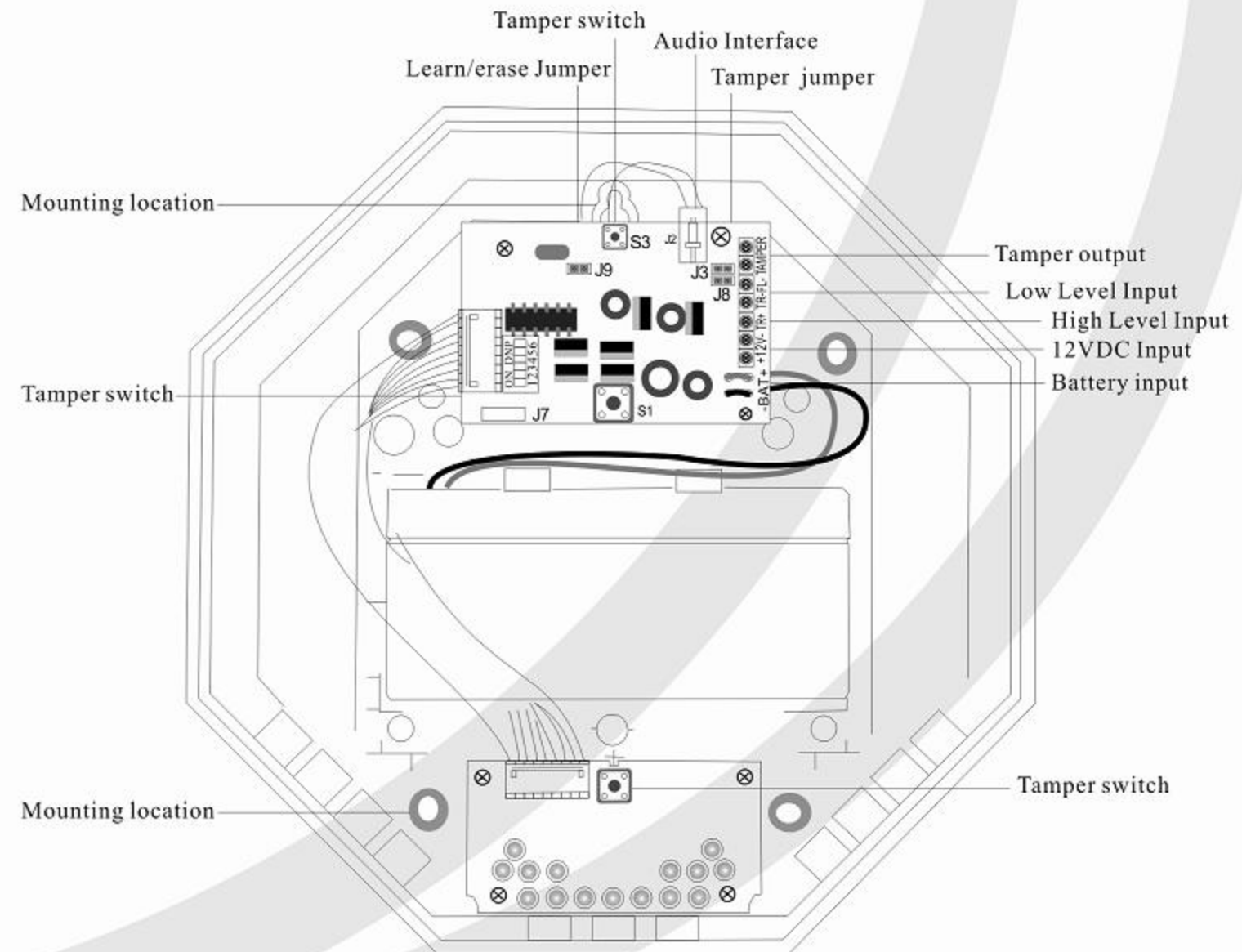


Fig. 5 Anti-tamper Installation