

SIEMENS

Building Technologies
Fire Safety & Security Products, CH-6301 Zug

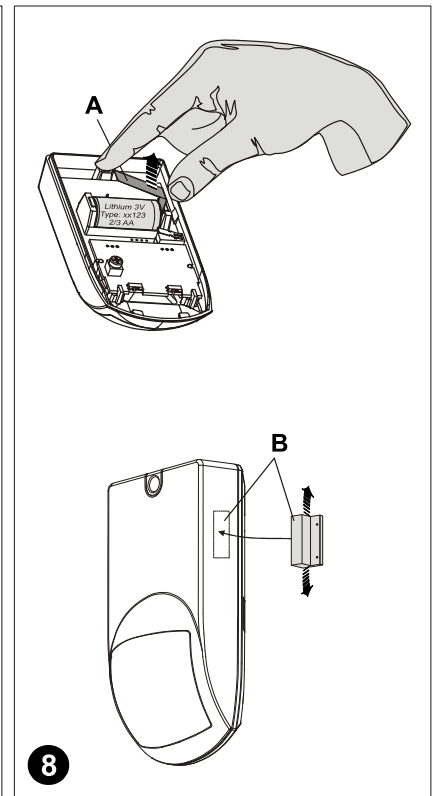
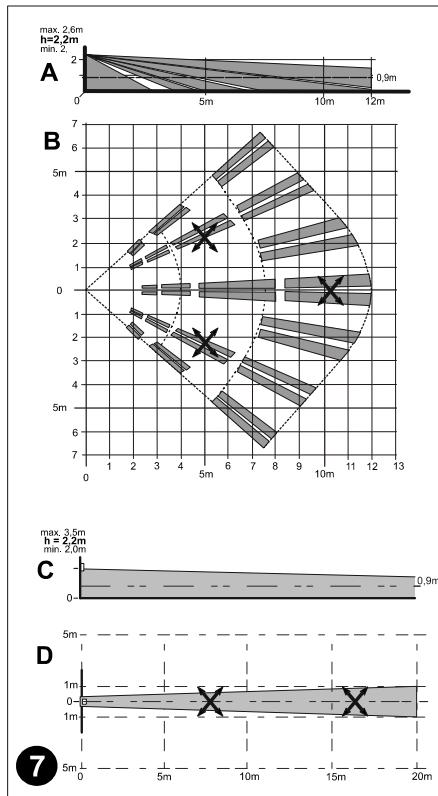
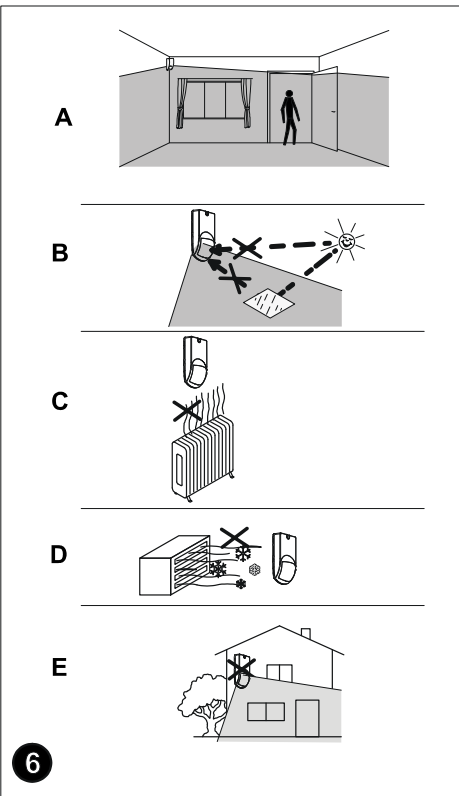
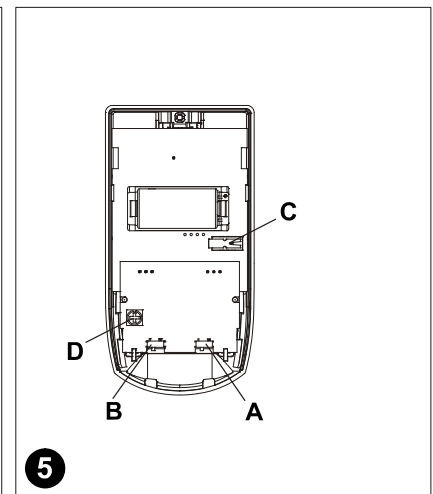
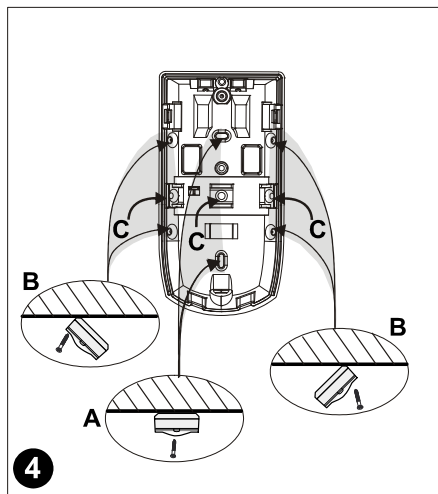
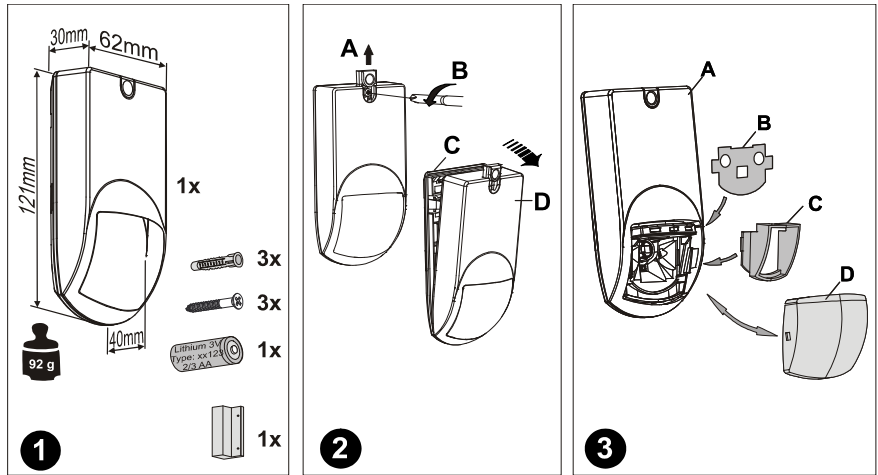
Intrunet
E-Line
ADM-I12W1
ADM-I12W2

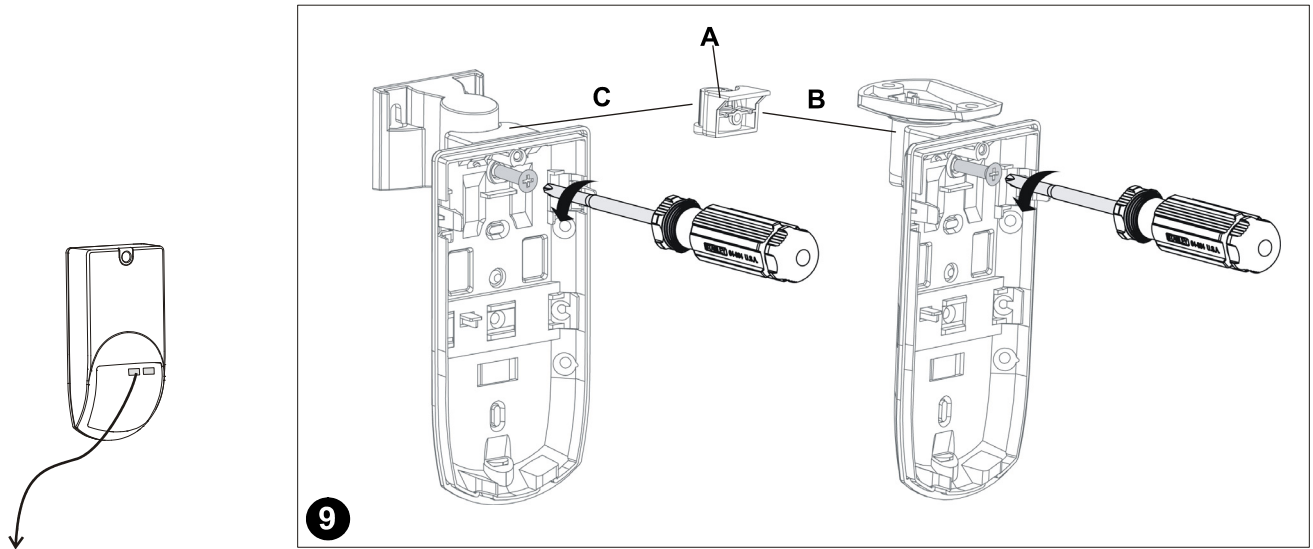


- en** Wireless Motion Detector
- de** Funk Bewegungsmelder
- fr** Détecteur de mouvement radio
- it** Rivelatore di movimento via radio
- es** Detector de movimiento inalámbrico
- sv** Trådlös rörelsedetektor
- pl** Radiowy czujnik ruchu
- nl** Draadloze bewegingsdetector

Installation manual: A5Q00035337_a_--_--
Edition: 04.2009

P/N 7101870_D





	en	de	fr	it	es	sv	pl	nl	
Red	11 x 6 sec	Transmission test	Übermittlungstest	Test de transmission	Test di trasmissione	Prueba de transmisión	Överförings-test	Test transmisji	Test overdracht
Rot		Alarm walktest	Alarm Gehetest	Test de déplacement alarme	Allarme test di attraversamento	Alarma Prueba de paseo	Larm gång-test	Test reakcji alarmu na ruch	Alarm loop-test
Rouge		Detector active	Melder aktiv	Détecteur activé	Rivelatore attivo	Detector activo	Detektor aktiv	Czujnik aktywny	Detector actief
Rosso									
Rojo									
Röd									
Czerwony									
Rood									

Approvals Zulassungen Agréments Approvazioni Homologaciones Godkännanden Dopuszczenia Goedkeuringen	✓	CE
	✓	R&TTE 1999/5/EC
	✓	Security Grade 2, Environmental Class II
	✓	Certified by Telefication
	✓	EN50130-4+A1+A2 EN301489-3 EN300220-3 EN60950-1 EN61000-6-3 EN55022 Kl. B EN50371 EN50131-1 EN50131-2-2

	en	de	fr	it	es	sv	pl	nl	
		Details for ordering	Bestell-informationen	Informations relatives à la commande	Informazioni relative all'ordinazione	Datos de pedido	Beställnings-information	Informacje potrzebne przy zamówieniu	Bestelinformatie
ADM-I12W1	S54538-F105-A100	PIR Detector 868MHz	PIR Detektor 868MHz	Détecteur PIR 868MHz	Rivelatore PIR 868MHz	Detector PIR 868MHz	PIR Detektor 868MHz	Detektor PIR 868MHz	PIR detector 868MHz
ADM-I12W2	S54538-F106-A100	PIR Detector 916MHz	PIR Detektor 916MHz	Détecteur PIR 916MHz	Rivelatore PIR 916MHz	Detector PIR 916MHz	PIR Detektor 916MHz	Detektor PIR 916MHz	PIR detector 916MHz
AO-C25*	S54539-F102-A100	Curtain lens set (12pcs)	Vorhang Linsen Set (12stk)	Kit de lentilles rideau (12 pièces)	Kit lenti a tenda (12pz.)	Kit de lentes cortina (12 unds.)	Ridålinssats (12 st)	Zestaw soczewek do kurtyny (12 szt.)	Gordijn lenzen set (12stk)
AO-WL10k*	S54539-F103-A100	Whitelight filter set (12pcs)	Weisslicht Filter Set (12 Stück)	Kit de filtre lumière blanche (12 pièces)	Kit di filtri luce bianca (12 pz.)	Kit de filtros de luz blanca (12 unds.)	Vitljusfilter, sats (12 st)	Zestaw filtrów do światła białego (12 szt.)	Witlicht filter set (12stk)
AZ-MBG2	S54539-F105-A100	Mounting brackets grade 2	Montagehalter Grade 2	Support de montage Grade 2	Supporto di montaggio grado 2	Soporte de montaje Grado 2	Monterings-hållare grade 2	Uchwyt montażowy Grade 2	Montageklem grade 2

* Note: AO-C25 & AO-WL10k are not tested for EN50131-2-2 compliance

ADM-I12W1 motion detector

The detector detects movement in the room under surveillance **7** and initiates an alarm. It responds most sensitively to movement in the directions indicated by arrows **7B / D**. The alarm is transferred by wireless. The back tamper recognizes if the detector is removed with force.

Prerequisites

The detector should be installed by people with specialist knowledge and in compliance with valid regulations.



The detector is only intended for indoor use. Note the positioning instructions **6**.

Opening the detector

1. Check the scope of delivery **1**.
2. Slide up the screw-on cover **2A** and loosen the screw **2B**.
3. Pull the housing front **2D** off the base **2C**.

Fitting the detector

1. Fit the mounting base **2C** as follows:
 - Define type of fastening **4A / B**. (also refer to mounting bracket option)
 - Break open three fixing holes.
 - Fit mounting base at the proposed height.



The mounting base should be secured using two screws **4A / B** and the back tamper with one screw **4C**.

2. Pull out insulation strip between battery and bracket **3A**.
3. Press the tamper contact **5B** to register the detector with the system.



For safety reasons only use the battery supplied and not any other type.

4. Fold front **2D** back onto mounting base **2C** and secure with screw **2B**. Slide down screw-on cover **2A**.

Programming

To adjust the settings to the application, move the switches into the corresponding positions:

PIR sensitivity **5B**

PULSE	Low sensitivity, for busy environments.
AUTO	

PULSE	High sensitivity, for quiet environments.*
1P	

* factory setting

Pet immunity **5A**

PET	Suppresses alarm for pets up to a weight of 12 kg.*
12kg	
PET	Suppresses alarm for pets up to a weight of 30 kg.
30kg	

* factory setting

Sensitivity setting **5D**

-	+	Turn potentiometer 5D into the position required to adjust detector to room size and field of vision.

* factory center is the middle position (12-meter field of vision)

ID registration

You will find instructions for integrating the detector in the control panel in the control panel's installation manual.

Walk test

1. Call up walk test mode in the control panel.
2. Hold a magnet to the right of the detector for 1 second **8B**.
3. Run the walk test for alarm triggering in the whole detection area **7** of the detector.

Alarm transmission test

1. Call up walk test mode in the control panel.
2. Hold a magnet to the right of the detector for at least 2 seconds **8B**.
3. The alarm transmission test has now started. 11 test signals are sent to the control panel at an interval of 6 seconds (the LED **10** flashes during each transmission).
4. The test is passed if the control panel receives the test signals and indicates this accordingly.

Options

Narrow angle lens kit AO-C25

The kit enables the detection area coverage to be defined to a narrow angle as shown in **7D**.

Loosen the lens currently at the positions shown in **5F** and remove from the detector. Insert adapter **5C** in to detector and press down narrow angle lens.

White light filter AO-WL10k

The white light filter is needed for applications with extreme white light interference (> 4000 lux).

Loosen the lens currently at position **5F** and remove this from the detector. Insert adapter **5B** in to detector and press the lens back down.

Wall & ceiling mounting brackets **9**

The mounting brackets AZ-MBG2 **9A** (ceiling **9B** and wall **9C** mounting) can be used to swivel the detector $\pm 45^\circ$.

Technical data

Detection area coverage wide angle 7B	12 m
Detection area coverage narrow angle 7D	20 m
Range of wireless module	Up to 300 m outdoors
Frequency: ADM-I12W1	868 MHz
ADM-I12W2	916 MHz
Identification	ID serial number 24 bits
Data protocol	SiWay
Event transmission	Alarm, sabotage, surveillance, battery low
Test mode	Walk test & alarm transmission test
Battery power saving	Automatic energy saving function
Battery	Lithium 3 V Type: xx123 Size: 2/3 AA Capacity: 1550mAh
Warm up period	60 \pm 5 s
Pet immunity	< 12 kg < 30 kg
EMI rejection up to 2 GHz	> 10 V/m
Operating temperature	-10 °C ... +50 °C
Storage temperature	-20 °C ... +60 °C
Air humidity EN 60721	< 85 %rF, not condensing
Type of housing protection EN 60529, EN 50102	IP41 / IK02