

SimPal Series
3G Security Camera

User Manual

Manual version 1.3

SimPal Series 3G Security Camera

Thank you for purchasing the SimPal camera. This camera is a remote controlled image-capturing device consisting of a microphone, LED lights and a high quality 5 megal-pixel camera lens. The SimPal camera can capture images according to a pre-programmed remote command and then send it to your multimedia messaging (MMS) or e-mail via cellular network. You can control and change the camera settings via SMS command.

The MMS sent by the SimPal camera can be viewed on your mobile phone. You also can check the images in your mobile phone email App.

The built-in high-light LED allows the camera to capture clear images even in dark environment.

The Camera has an integrated infrared body detector. It will therefore detect any unauthorized entry into your house and notify you via SMS, MMS, standard calls or E-mail.

All services and functions need to be supported by the GSM / WCDMA network and a SIM card.

This brochure suits for SimPal-G4 model.

Details of the functioning and advanced operation of this camera are described in this instruction manual.

CONTENTS

For your safety	5
Exception clause	5
Chapter 1 Structure instruction	6
1.1 Package contents	6
1.2 Products instructions	6
1.3 Light indicator	7
Chapter 2 Installation.....	9
2.1 The antenna, SIM card and power adapter	9
2.2 The power adapter and battery	10
2.3 Install the host mounting bracket	11
2.4 Mounting the SimPal camera.....	11
2.5 Power on/ off	11
Chapter 3 Define the user and basic settings	12
3.1 User authorization level.....	12
3.2 Setup master number	13
3.2.1 Add a master number to the camera.....	13
3.2.2 Change the master number	13
3.2.3 Change password	13
3.3 Define family user	14
3.3.1 Add a family number.....	14
3.3.2 Delete family number	14
3.4 Network parameter settings	14
3.4.1 MMS parameters setting	14
3.4.2 Cellular data parameters setting.....	15
3.4.3 Email parameters setting	16
3.4.4Configure email SMTP parameters	16
3.4.5Configure receiving email address.....	17
Chapter 4 Operations and settings	17
4.1 Call the camera to listen in.....	17
4.2 Capture images	17
4.2.1 Capture images to mobile phone.....	17
4.2.2 Capture images to user’s E-mail address	17
4.2.3 Schedule send images.....	18
4.3 Arming or disarming SimPal camera	19
4.3.1 Arming SimPal camera	19
4.3.2 Camera alarm.....	19
4.3.3 Disarming SimPal camera.....	19
4.3.4 Schedule arming the camera	19
4.8 Image size setting.....	20
4.9 Image quantity setting	20
4.10 Warning tone upon alarm triggering	20

SimPal-G4 3G SECURITY CAMERA USER MANUAL

4.11 SMS notification upon alarm triggering.....	20
4.12 Images notification upon alarm triggering	21
4.13 Call notification upon alarm triggering.....	21
4.14 SMS notification to family number	21
4.15 MMS Images notification to family number	21
4.16 Email notification to family number	21
4.17 Turn on/off LED indicator on the camera.....	21
4.18 Turn on/off night vision LED lights	22
4.19 Mains power change alert	22
4.20 Check status	22
4.21 Restart the camera.....	22
4.22 Resetting the camera	22
Chapter 5 General troubleshooting	23
Chapter 6 Main technical parameters	23
Appendix: SMS commands list.....	24

WARNING

1. Purchase a 3G SIM card (mobile phone card) from network service operator and install it in the camera. This SIM card number is referred as SimPal camera number on this brochure.
2. The user needs to activate the MMS, Cellular data functions and Caller ID Presentation function of SIM card, and deactivate PIN code of the SIM. Contact with GSM network service for support.
3. Change the original password at the beginning use. Be sure to keep the password and SIM card number secret. Do not disclose this information to anyone other than the authorized users in order to ensure your safety.

For your safety

- This product is a wireless signal transmission device. Keep it away from electronic equipment likely to interfere with the wireless signals, in order to avoid signals interference.
- Switch off your SimPal camera and mobile phone when entering areas marked "Explosive", "Might explode", "Closed wireless transceiver devices" etc.
- Do not cast this product in a fire, as this may cause the battery to explode.
- This product should only be operated from power approved by the product manufacturer. The use of any other types of power may damage the product.
- Keep the product and its accessories out of the children reach.

Exception clause

- We operate on a policy of continuous development. We reserve the right to make changes and improvements to any of the products described in this document without prior notice.
- For the latest product information, please visit: <http://www.simpal.cn>. We don't guarantee for the document veracity, reliability or any content except regulate in proper laws. Including no guarantee for product suitable market or suitable area promise.
- Use only this product according to the law. Respect one another's privacy. Neither monitor another's home nor private. We hold no responsibility for the illegal use of this product.
- We hold no responsibility for any loss of data or income; or any special, incidental, consequential or indirect damages howsoever caused.

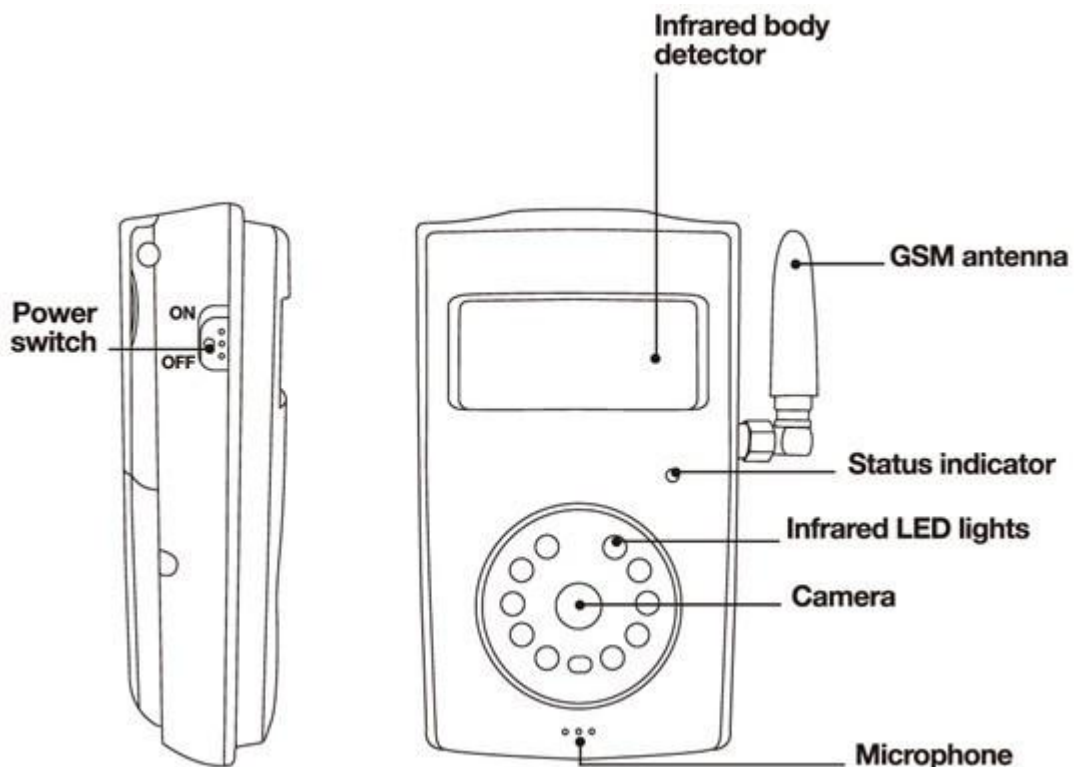
- The contents of this document are provided “as is”. Except as required by applicable law, no warranties of any kind, either expressed or implied, including, but not limited to the accuracy, reliability or contents of this document. We reserve the right to revise this document or withdraw it at any time without prior notice.

Chapter 1 Structure instruction

1.1 Package contents

- | | |
|--------------------------|--------|
| 1. Security camera | 1 unit |
| 2. Power adapter(12V/1A) | 1 unit |
| 3. GSM antenna | 1 unit |
| 4. User manual | 1 unit |
| 5. Mounting bracket | 1 set |

1.2 Products instructions



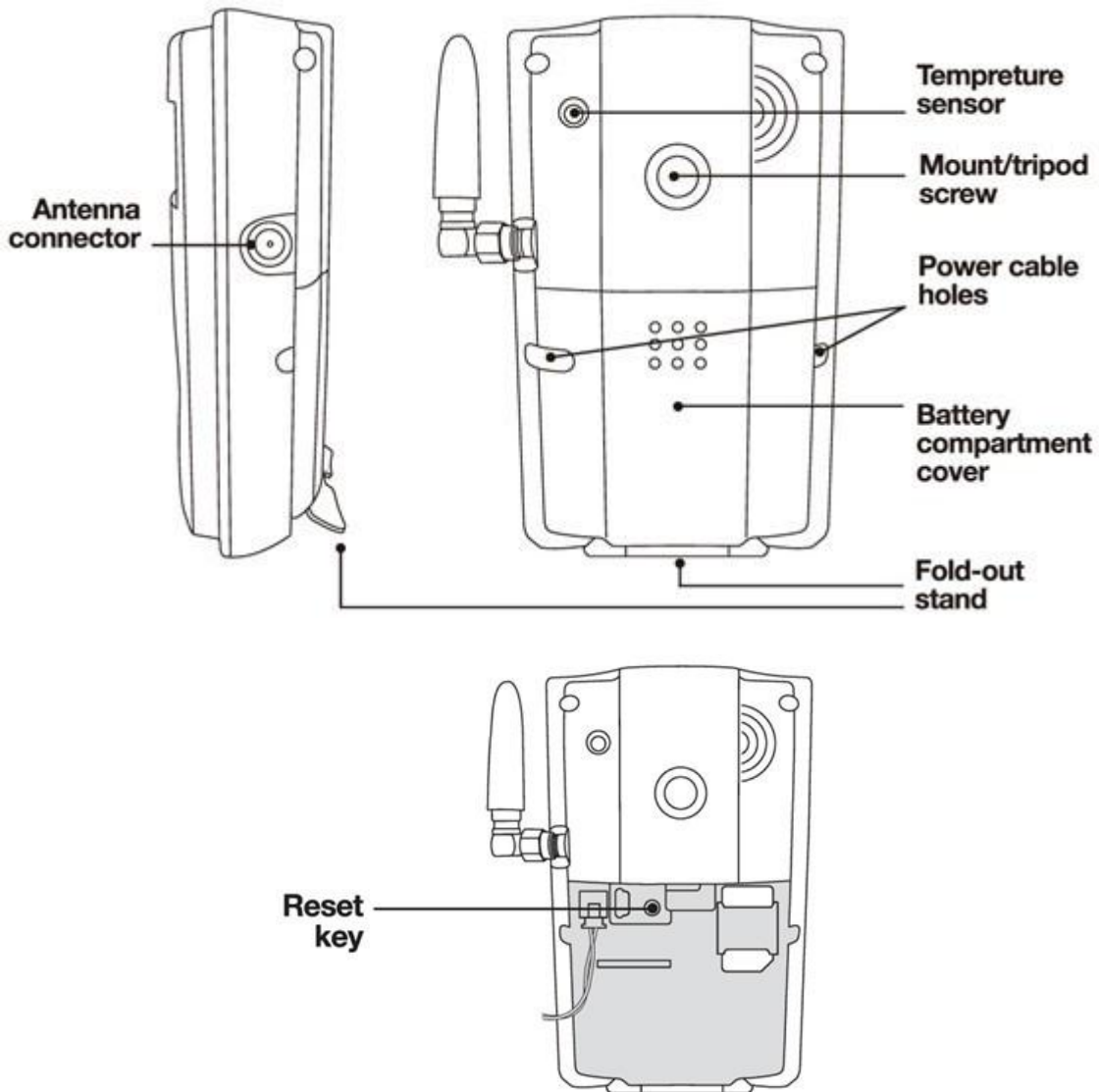


Figure 1: SimPal camera instructions

Tip: Keep the camera lens clean to insure best imaging quality.

1.3 Light indicator

Color	Action	Status
Red	Flash slowly	Searching the network.
	Flash quickly	Sensor alarm, infrared body detector alarm.
	Constant Light	Not installed SIM card, or the Security camera damaged.
Green	Constant Light	Armed status.
	Flash twice per 2 seconds	Arming command received. SimPal camera will enter arming mode after 20 seconds.
		The camera is at the alarm-suspension situation.

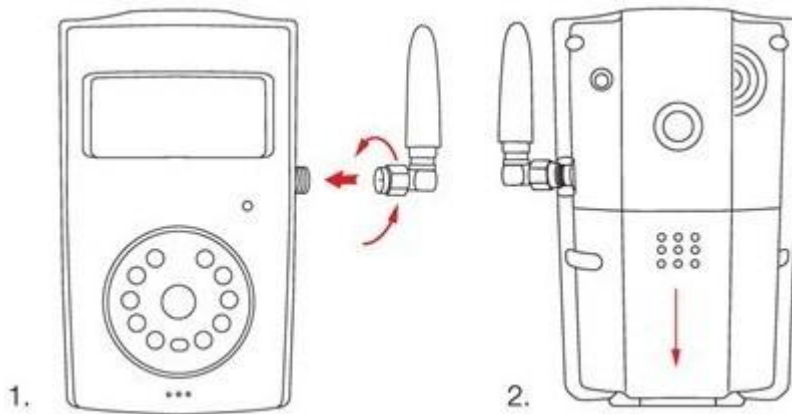
SimPal-G4 3G SECURITY CAMERA USER MANUAL

	Flash slowly	Disarmed status.
	Flash quickly	Processing data.
	Light 2 seconds	Successfully reset factory setting, or loading sensor.

Note: Slow flash 1 time per second, quick flash 2 times per second.

Chapter 2 Installation

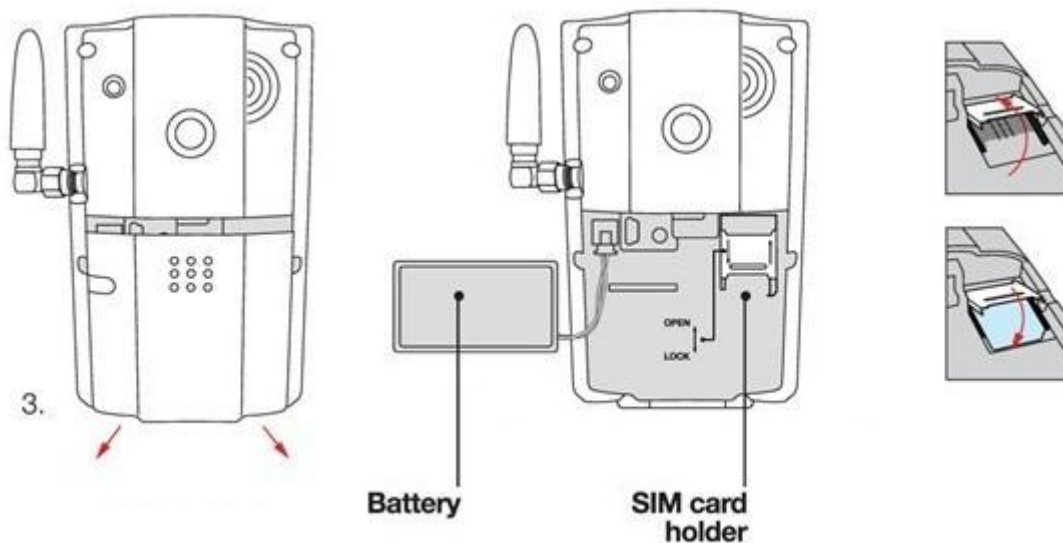
2.1 The antenna, SIM card and power adapter



Installing the antenna

- Mount the supplied antenna into the Antenna Connector on the camera.

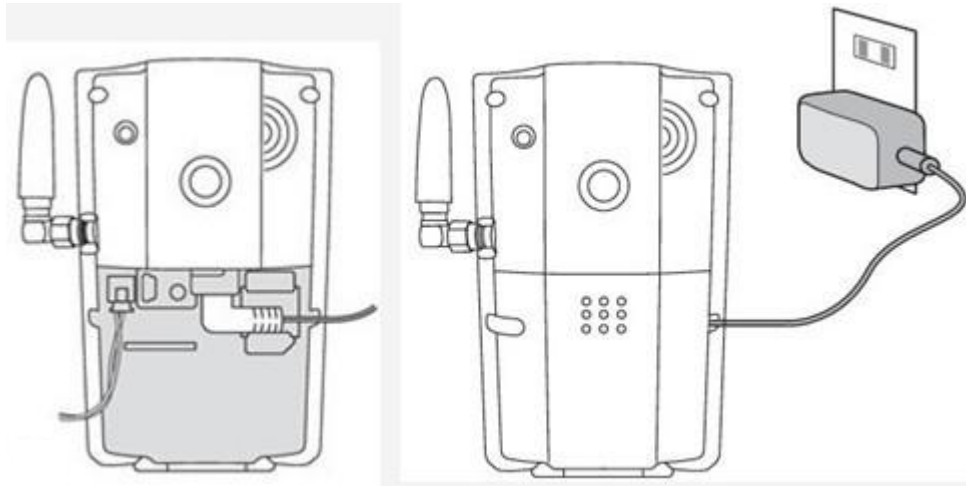
Installing the SIM card



- Remove the Battery Compartment Cover from the rear of SimPal camera and a SIM card holder will be found.
- Open the SIM card holder.
- Insert the SIM card carefully into the card holder. Make sure that the golden connectors on the card are facing downwards.
- Close the SIM card holder.
- Get back the Battery Compartment Cover of SimPal camera.

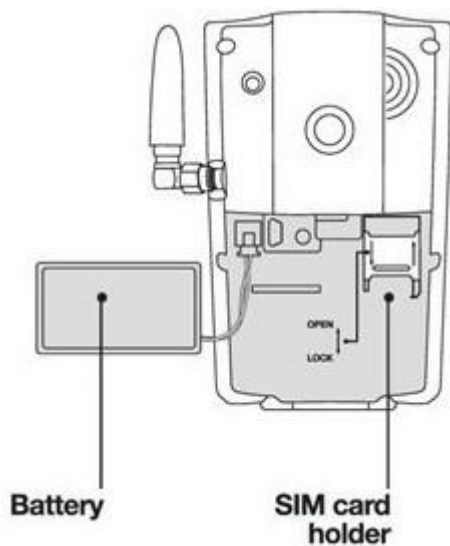
2.2 The power adapter and battery

Connecting to the power adapter



- Connect the plug to the power interface of the SimPal camera and then connect the adapter to an AC power.

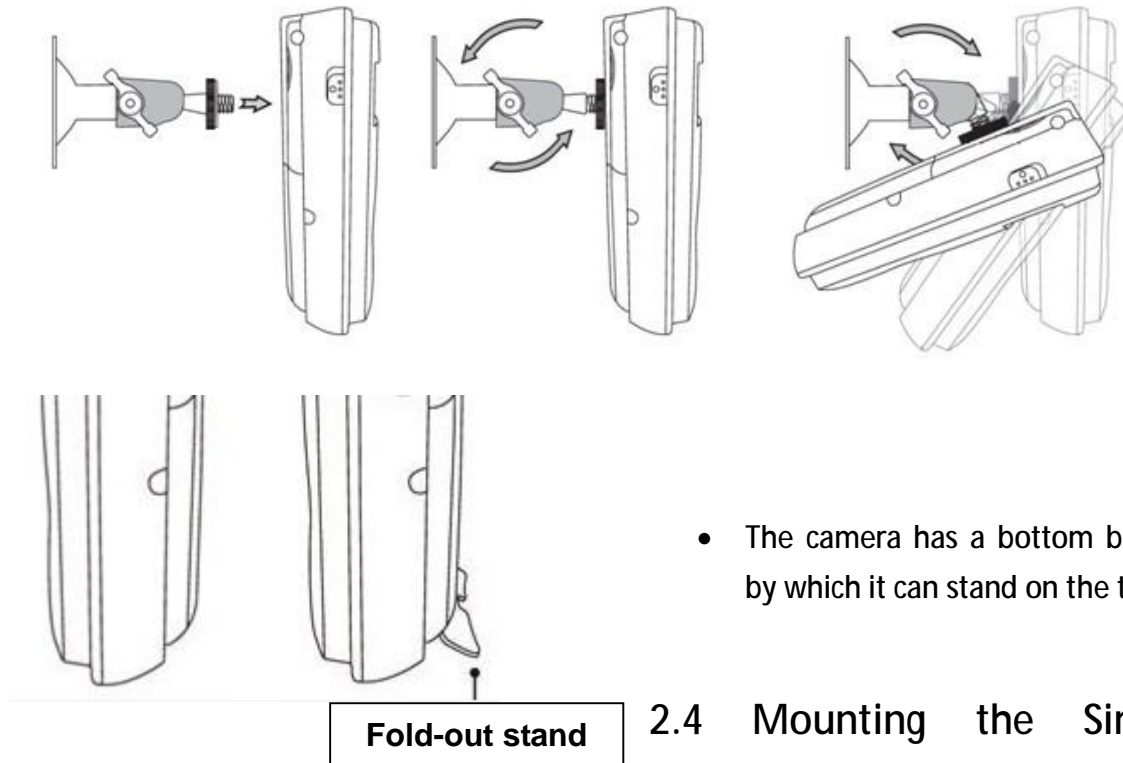
The built-in rechargeable Lithium battery



battery.

- The camera will notify the user when the power changes. For example, if the power adapter is disconnected or failure of the AC power occurs, SimPal camera will notify the user “External power cut. The device is operating on battery.”
- If SimPal camera is again connected to the external power, or the AC power is available again, the notification will be sent to the user, i.e.” The device is now resuming the use of external power source.”
- Low battery: The configure setting can not be saved when SimPal camera is operating on low

2.3 Install the host mounting bracket



- The camera has a bottom bracket by which it can stand on the table.

2.4 Mounting the SimPal camera

SimPal camera can be mounted on a wall (vertically with the screws) or put down on any suitable horizontal surface.

How to choose the Installing place:

- In order to capture better image quality, avoid any areas where bright light will be irradiated directly into the lens of the camera on the camera.
- In order to avoid backlighting photography, it is suggested that the camera is located at the place where can look down the monitoring place with the minimum angel 30°.
- The GSM network's signal strength may affect the image, live voice quality and images transmission speed. Therefore, upon installation, the user should ensure that SimPal camera is located in an area with a strong network signal.
- After installation, the user should perform a test-run by taking several images and sending it to the user's mobile phone. This allows the user to check the image quality of the camera. The position of SimPal camera can then be adjusted until a satisfactory image quality level is reached.

2.5 Power on/ off

Power on:

SimPal-G4 3G SECURITY CAMERA USER MANUAL

Operation	Indicator light	Status
Turn the power switch to "On" position.	Red light on 1 seconds, then off 20 seconds..	
	Red light flashing slowly for about 5 seconds.	
	A "Beep..." tone will be heard.	
	Green light flash slowly, or green light be on constantly.	SimPal camera is disarmed, or armed.

Power off:

Turn the power switch to downside "Off" position.

Chapter 3 Define the user and basic settings

3.1 User authorization level

There are two levels, each with a different authorization level, namely Master, Families.

Table 3.1 the difference in authority for Master, Families users:

Functions		User Type	
		Master	Families
Change authority, password		YES	NO
Alarm	Receive SMS	YES	YES
	Receive MMS	YES	YES
	Receive alarm calling	YES	YES
	Get images by E-mail	YES	YES
	Receive emergency calling	YES	YES
Call the camera to listen in live voice		YES	YES
Get images by sending SMS command		YES	YES
Get images by E-mail		YES	YES
Set Security camera by SMS command		YES	NO

% Note

- Any MMS enabled mobile phone can receive the images captured by SimPal camera by sending SMS command with password.
- Any SMS enabled mobile phone can control SimPal camera with the password

command.

All the settings of SimPal camera can be set or adjusted via a SMS command.

About the SMS Command:

- 1) SMS command format: #code#content#.
- 2) The password must be a four-digit number.
- 3) The original password is 1234.
- 4) The maximum digits that are allows for the phone number is sixteen.
- 5) SimPal camera will reply to the user after it receives the SMS command.

% Note

- I The “#” symbol must not be ignored when typing an SMS command.
- I No allow any space within the commands.

3.2 Setup master number

Master user has all the rights of changing camera settings and receives alarm messages from camera. In order to enable all the functions on the camera, the Master user must store his/her mobile number in the camera’s memory. Only one Master’s mobile number (Master number) is allowed for a camera.

3.2.1 Add a master number to the camera

If SimPal camera is being used for the first time, or SimPal camera has been reset, the master user’s number must be programmed into the camera, in order to ensure activation. The following methods can be used:

The Master user must edit and send the following SMS (text message) to camera from mobile phone (the phone number will be the Master number) to:

Setup master number: #00# (1)

If the camera reply master number already exists, please refer the Reset Factory Setting parts to delete old master number.

3.2.2 Change the master number

Master user sends following SMS message in order to:

Change the master user’s number: #14#NewMasterNumber# (2)

3.2.3 Change password

In order to ensure your privacy and safety during the use of this camera, change the password once start to use SimPal camera.

Master user sends following SMS message to:

Change the password: #18#oldpassword#newpassword# (3)

- I The *password* is a four digit number.
- I The original *password* is 1234.

3.3 Define family user

Family users have the authority to listen in on the camera, receive images, and receive notification when the integrated infrared body detector be triggered. The family user's mobile numbers are set by the Master user. The family users should remember and safeguard the camera's SIM number.

3.3.1 Add a family number

Master user sends following SMS message in order to:

Add a family number: #07#FamilyNumber# (4)

- I Up to 4 *family* users' number can be stored on one camera.

3.3.2 Delete family number

Master user sends following SMS message in order to:

Delete a family number: #27#FamilyNumber# (5)

Delete all family numbers: #27# (6)

3.4 Network parameter settings

3.4.1 MMS parameters setting

Camera already preset most operator MMS settings on the firmware. Users needn't to setup the MMS parameters. But if the GSM operator changes the MMS parameters or the local MMS settings do not preset on the firmware, users will receive SMS when they request MMS images: Sorry, the network is busy, MMS sending failed. Master number can setup the MMS parameters manually by following two methods.

Method 1:

There are another MMS parameters in firmware, user send following SMS to:

Manual select MMS settings from firmware: #44# (7)

Method 2:

Six MMS parameters be requested on the camera. Master send following SMS commands to camera.

Configure MMS parameter settings:

#25#MMSC#Proxy IP#WAPProxyPort#HTTPProxyPort#APN#Username#Pssaword# (8)

The command included parameters:

- I MMSC means MMS center, for example: <http://mmsc>.
- I Proxy IP: The IP address for MMS, For example: 139.7.29.17
- I WAP Proxy Port: port number for WAP1.2, for example:9201
- I Http proxy Port: port number for WAP2.0, for example: 80 or 8080
- I APN
- I User Name
- I Password

Get the current operative network parameter settings: #25# (9)

3.4.2 Cellular data parameters setting

Camera already preset most operator cellular data settings in firmware, but if can not connect the network, user can set up the GPRS parameters manually.

Method 1:

Manual select from another list of firmware, Master send following SMS to

Manual select Cellular data settings: #45# (10)

Method 2:

SMS command configure Cellular data (GPRS) parameter settings:

#24#APN#Username#Password#MCC#MNC# proxy#port#1# (11)

For example: #24#live.vodafone.com###505#03##80#1#

If the User name and Password is empty, only leave blank and separate with #.

Check Cellular data (GPRS) parameter settings: #24# (12)

3.4.3 Email parameters setting

The SimPal support SMTP protocol sending images email, user need to configure the SMTP parameters before using this service. It need to activate POP3/SMTP functions on email website settings.

3.4.4 Configure email SMTP parameters

#26#email#password#SMTP#SMTP port#Type#tls# (13)

Email: The email address is use to sending email, the sending and receiving email can be same or different email address. Recommend to use same email address can reduce email delay chance.

Password: This is the password to log in email account, need to fill with letter or number.

SMTP: Simple Mail Transfer Protocol.

SMTP port: the port for SMTP.

Type: setting email SMTP or SMTPS protocol. 0 means SMTP, 1 means SMTPS.

Tls: this is encryption of hotmail and outlook, only hotmail or outlook need to activated this function. 0 means deactivated TLS, 1 means activated TLS.

Some email setting as following:

- I Gmail: the SMTP port is 465, and need to select SMTPS, deactivated TLS.

#26#simpal@gmail.com# PASSWORD#smtp.gmail.com#465#1#0#

- I Outlook, Hotmail: the SMTP port is 25, and select SMTP, activated TLS.

#26#simpal@outlook.com#PASSWORD#smtp.live.com#25#0#1#

- I Company email: It need to switch the SMTP server to IP address, and select SMTP, deactivated TLS.

#26#sales@simpal.cn#PASSWORD#218.85.138.181#25#0#0#

It will send one confirm email after configure the sending email successfully.

Check email SMTP parameters: #26# (14)

It will reply current email settings by sending this command.

3.4.5 Configure receiving email address

Master and Family sending following SMS to set email address which use to receive alarm from camera. Only allow to set one email address for different number.

Configure receiving email address: #09#email# (15)

Delete email address: #09# (16)

Chapter 4 Operations and settings

4.1 Call the camera to listen in

Master and family user calls SimPal camera after which it will answer automatically. The user can then listen in the live audio in the monitoring area. Only one line can be connected to SimPal camera at a time.

4.2 Capture images

Authority:

Master/ family send SMS to the camera to get the image and send by MMS or email.

4.2.1 Capture images to mobile phone

Method :

The user sends following SMS message in order to:

Capture one image and send to the user mobile by MMS:

For master and family users: #03# (17)

Capture images and send to the user mobile by MMS:

For *master and family* users: #03#ImageQuantity# (18)

! *Image quantity* should be in the range of 1-5 when the image size is set at 320×240, be in 1-2 when 640×480. (Refer 4.4 image size setting.) The default image size is 320×240(QVGA).

4.2.2 Capture images to user's E-mail address

Need to configure email settings before using this function. The camera will sending images email via Cellular data. It will charge cellular data cost by network operator.

Capture one image and send to user email: #05# (19)

Capture images and send to user email: #05#quantity# (20)

4.2.3 Schedule send images

Master sends following SMS message in order to:

Set schedule to auto-send images parameters:

#43#Mode#WorkDay#StartTime#EndTime#IntervalTime#. (21)

- I Mode: the parameter is 0 and 1, 0 means sending images to email, 1 means sending images by MMS.
- I WorkDay: one digit, the values lie in the range of "0" to "9".

The following table contains the descriptions of each value:

Value	Corresponding day
0	Everyday
1	Monday
2	Tuesday
3	Wednesday
4	Thursday
5	Friday
6	Saturday
7	Sunday
8	Monday to Friday
9	Weekend

- StartTime and EndTime: Be consists of 4 digits (hh:mm) and works on a 24 hour clock. For example: 0000 means time 00:00(hh:mm), 2359 means time 23:59(hh:mm). the EndTime can be earlier than StartTime, it will set as end of next day.
- IntervalTime: This consists of 2 or 3 digits and has values in the range of "5" to "480" minutes.

For example: #43#0#0#2100#0800#10# The camera will reply SMS following:

Schedule capture images function: OFF

Receive mode: Email

Everyday

Time: 21:00-08:00

Interval: 10 minutes.

Activate schedule send images: #06#1# (22)

Master sending this command to activate Schedule sending images functions.

Deactivate schedule send images: #06#0# (23)

4.3 Arming or disarming SimPal camera

4.3.1 Arming SimPal camera

- I When user arm the SimPal camera, the built-in infrared body detector (PIR) will start working and detecting body heat. SimPal camera will automatically send alarm message or making a phone call once it be triggered.
- I SimPal camera has 60 seconds alarm-suspension period after it be armed. The user can leave the camera place during this time to avoid misalarm.

Method 1:

The user sends following SMS message in order to:

Arming SimPal camera manually: #01# (24)

Method 2:

Master or Family number calling the camera number, hand up before it answer the calling. By this method, camera will switch from Arm and Disarm mode.

4.3.2 Camera alarm

Once the camera be triggered, the LED will flash fast in green, then turn red and flash fast. It will sending alarm SMS, MMS, Email or make voice calling according to the setting. After it finish alarm process, camera will enter 60 seconds alarm-suspension period and then it can alarm again.

4.3.3 Disarming SimPal camera

SimPal camera in disarm mode, built-in infrared body detector will not working.

Method 1:

The user sends following SMS message in order to:

Disarming SimPal camera manually: #02# (25)

Method 2:

Calling the camera, hand up before it answer the calling. It will send SMS to notify camera Disarm.

4.3.4 Schedule arming the camera

Master sends following SMS message in order to:

Enable schedule arms the camera: #04#1# (26)

Set time period to arm the camera:

#41#WorkDay#StartTime#EndTime# (27)

Disable schedule arm the camera: #04#0# (28)

- WorkDay: The value description is same with command 21.
- StartTime and EndTime: Be consists of 4 digits (hh:mm) and works on a 24 hour clock. For example: 0000 means time 00:00(hh:mm), 2359 means time 23:59(hh:mm). the EndTime can be earlier than StartTime, it will set as end of next day.

4.8 Image size setting

The master or family user sends following SMS message to SimPal camera in order to:

Change the image size: #22#value# (41)

- If the value is 1, the image size is 320 ×240(pixels). It's for a standard small screen mobile phone. The size of one MMS image file is about 35K.
- If the value is 2, the image size is 640×480(pixels). The size of one MMS image file is about 65K.
- If the value is 3, the image size is 1280 × 768(pixels). The size of one image file is about 170K. Only allow sending this size images to email.

4.9 Image quantity setting

The master or family user sends following SMS message to SimPal camera in order to:

Set alarm image quantity: #21#quantity# (42)

- For image size is 320 ×240(pixels), allow max 5 images.
- For images size 640×480(pixels), allow max 3 images.
- For image size is 1280 × 768(pixels), allow max 2 imegas to email.

4.10 Warning tone upon alarm triggering

SimPal camera will emit a Beep tone upon alarm activation. The master sends following SMS message to SimPal camera in order to set:

Warning tone upon alarm triggering: #30#1# (43)

No warning tone upon alarm (Default): #30#0# (44)

4.11 SMS notification upon alarm triggering

The master sends following SMS message to SimPal camera in order to set:

No SMS notification upon alarm triggering: #11#0# (45)

SMS notification upon alarm (Default): #11#1# (46)

4.12 Images notification upon alarm triggering

The master sends following SMS message to SimPal camera in order to set:

- MMS notification upon alarm triggering: #12#1# (47)
 Email notification upon alarm (Default): #12#2# (48)
 Without images notification upon alarm: #12#0# (49)

4.13 Call notification upon alarm triggering

The master sends following SMS message to SimPal camera in order to set:

- No call notification upon alarm triggering(Default): #13#0# (50)
 Call notification upon alarm: #13#1# (51)

SimPal camera will call the master and the family user's numbers for not more than 3 times. If it is still no one answers the call, SimPal camera will then exit dialing mode automatically.

4.14 SMS notification to family number

The master sends following SMS message to SimPal camera in order to set:

- No SMS notification to family number: #32#0# (52)
 SMS notification to family number (Default): #32#1# (53)

4.15 MMS Images notification to family number

The master sends following SMS message to SimPal camera in order to set:

- MMS notification to family number (Default): #33#1# (54)
 No MMS notification upon alarm: #33#0# (55)

4.16 Email notification to family number

The master sends following SMS message to SimPal camera in order to set:

- Email notification to family number: #23#0# (56)
 No Email notification to family number: #23#1# (57)

4.17 Turn on/off LED indicator on the camera

If the LED indicator is on, it will display in different ways to show the working status. If it turns off, it can make SimPal camera private and avoid to be found easily.

The Master sends following SMS message in order to:

- Turn off indicator: #31#0# (58)
 Turn on indicator(Default): #31#1# (59)

4.18 Turn on/off night vision LED lights

There are 10pcs LED light help lighting when capture images in dark environment.

The Master sending following SMS to set

Night vision LED lighting: #20#mode#time# (60)

Mode represent LED working mode, There are three mode of LED lighting: 1 represent "Auto", 2 represent "Constantly ON", 0 represent "OFF".

"Auto" mode means the LED will auto turn on when camera detect dark environment.

"Constantly ON" means the LED will always lighting when camera detect motion.

"OFF" means LED will always OFF even in dark environment.

Time represent LED lighting time length, can be 1-180, means LED will light 1-180 seconds.

4.19 Mains power change alert

The Master sending following SMS to set

Enable Mains power change alert: #35#1# (61)

Disabled Mains power change alert: #35#0# (62)

4.20 Check status

The user sends following SMS message in order to:

Check the present settings and work status of SimPal camera:

- For master and family users: #10# (63)

Check firmware, IMEI and GSM signal of SimPal camera:

For Master user: #40# (64)

4.21 Restart the camera

The network cellular data sometimes unable to connect, it needs to restart the camera to initialize network settings. The maser sendings following SMS message in order to:

Restart the camera: #42#password# (65)

4.22 Resetting the camera

User can reset the camera to factory setting if the user forgot the master number or camera do not work normally.

After reset factory setting, camera will delete all setting numbers and setting values, user need to setup master number from beginning.

Method 1: Reset via the camera

- Make SimPal camera in working mode and registered network.
- Remove the battery cover, the setting button is near the DC power connector.
- Keep pressing the setting button for 5 seconds, camera will beep ring..
- Then the camera reset to factory setting successfully.

Method 2: Reset via SMS command

The user sends following SMS message to SimPal camera in order to:

Reset the camera: #19#password# (66)

Chapter 5 General troubleshooting

No.	General Trouble	Possible Reason	Solution
1	Can't start camera (Indicator is working)	Other master is already set in the camera.	Reset to factory default setting.
2	All functions disable (Indicator is working)	Caller ID presentation or MMS, Cellular data functions of the SIM card do not active, insufficient fee of the SIM card.	Contact network provider to active SIM card function. Pay for the card.
3	Indicator constant light in red color.	Can't find or identify the SIM card.	SIM card no install properly: Power off the camera and check it again.
4	Camera didn't response of any operation.	SimPal camera work abnormally.	Switch off the power, check SIM card, or reset factory setting.
5	After starting the camera, indicator flashed in red color and can not turn to green.	Network signal weak or network busy.	Place the camera at other place with strong signal and try again.
		SIM card PIN code actives.	Close the PIN code.
		SIM card invalid.	Contact with local operator to check of it.
8	Can't start the camera after long time supply with the battery.	Battery runs out of power.	Connect the camera to external AC power and charge for at least one hour, then, restart camera.

Note: If the problem can't be solved with above guidelines, contact to your local distributor or after service center.

Chapter 6 Main technical parameters

Power adaptor

Input: 100V~240V/50Hz Output: 12V 1A DC

Operating temperature

-10°C ~ +45°C

SimPal-G4 3G SECURITY CAMERA USER MANUAL

Store temperature	-20℃ ~ +60℃
Relative humidity	10-90%, without condensation
Working band	GSM 850/900/1800/1900MHZ WCDMA /HSUPA 2100MHz (850/1900 Mhz Optional)
Image format	JPEG
Image resolution	320×240, 640×480, 1280×768
Camera pixel	5.0 Megal pixel
Camera Shooting angel	68 degree
Best shooting distance at night	≤3meters
Detect distance of build-in PIR sensor	≤7 meters
Listen in distance	≤6 meters
Lithium battery (Inner)	800mAh
Battery standby time	3-4 hours (Affected by network)

Appendix: SMS commands list

Category	Function	Command	User
Define the user	Add a master number to the camera	(1) <u>#00#</u>	Master
	Change the master user's number	(2) <u>#14#NewMasterNumber#</u>	Master
	Change the password	(3) <u>#18#oldpassword#newpassword#</u>	Master
	Add a family number	(4) <u>#07#FamilyNumber#</u>	Master
	Delete a family number	(5) <u>#27#FamilyNumber#</u>	Master
	Delete all family numbers	(6) <u>#27#</u>	Master
Network parameter settings	Manual select MMS setting	(7) <u>#44#</u>	
	Set MMS parameters	(8) <u>#25#MMScenter#ProxyIP#WAPProxyPort#HTTPProxyPort#APN#Username#Password#</u>	Master
	Check MMS parameters	(9) <u>#25#</u>	Master
	Manual select Cellular data settings	(10) <u>#45#</u>	
	Set Cellular data parameters	(11) <u>#24#APN#Username#Password#MCC#MNC#</u>	Master
	Check Cellular data parameters	(12) <u>#24#</u>	Master
Email settings	Configure sending email parameters	(13) <u>#26#email#password#STMP#SMTP port#</u>	Master
	Check email parameters	(14) <u>#26#</u>	Master
	Set receiving email account	(15) <u>#09#email#</u>	Master Family
	Delete receiving email account	(16) <u>#09#</u>	Master

SimPal-G4 3G SECURITY CAMERA USER MANUAL

Category	Function	Command	User
			Family
Capturing images	Capture one image and send to the user mobile	(17) <u>#03#</u>	Master Family
	Capture images and send to the user mobile	(18) <u>#03#ImageQuantity#</u>	Master Family
	Capture image and send to pre-set E-mail	(19) <u>#05#</u>	Master Family
	Capture images and send to pre-set E-mail	(20) <u>#05#ImageQuantity#</u>	Master Family
Schedule send images	Set schedule to auto-send images parameters	(21) <u>#43#Mode#WorkDay#StartTime#EndTime#IntervalTime#</u>	Master
	Enabled schedule send images function	(22) <u>#06#1#</u>	Master
	Disable schedule send images function	(23) <u>#06#0#</u>	Master
Arming or disarming SimPal camera	Arming SimPal camera manually	(24) <u>#01#</u>	Master Family
	Disarming SimPal camera manually	(25) <u>#02#</u>	Master Family
	Enable schedule arms the camera	(26) <u>#04#1#</u>	Master
	Set time period to arm the camera	(27) <u>#41#WorkDay#StartTime#EndTime#</u>	Master
	Disable schedule arm the camera	(28) <u>#04#0#</u>	Master
Infrared body detector	Activate infrared body detector (default)	(30) <u>#17#1#</u>	Master
	Deactivate infrared body detector	(31) <u>#17#0#</u>	Master
	Enable over-temperature alarm	(38) <u>#15#1#</u>	Master
	Set limits of temperature	(39) <u>#16#MinTemp#MaxTemp#</u>	Master
	Disable over-temperature alarm	(40) <u>#15#0#</u>	Master
Image	Image size	(41) <u>#22#value#</u>	Master
	Alarm image quantity	(42) <u>#21#quantity#</u>	Master
Alarm settings	Warning tone upon alarm triggering	(43) <u>#30#1#</u>	Master
	No warning tone upon alarm (Default)	(44) <u>#30#0#</u>	Master
	No SMS notification upon alarm	(45) <u>#11#0#</u>	Master

SimPal-G4 3G SECURITY CAMERA USER MANUAL

Category	Function	Command	User
	SMS notification upon alarm (Default)	(46) <u>#11#1#</u>	Master
	MMS notification upon alarm	(47) <u>#11#1#</u>	Master
	Email notification upon alarm	(48) <u>#12#2#</u>	Master
	Without image notification upon alarm	(49) <u>#12#0#</u>	Master
Calling alarm setting	No call notification upon alarm (Default)	(50) <u>#13#0#</u>	Master
	Call notification upon alarm	(51) <u>#13#1#</u>	Master Family
Family alert function setting	Disabled family SMS alert	(52) <u>#32#0#</u>	Master
	Enable family SMS alert	(53) <u>#32#1#</u>	Master
	Enabled family MMS alert	(54) <u>#33#1#</u>	Master
	Disable family MMS alert	(55) <u>#33#0#</u>	Master
	Disabled family Email alert	(56) <u>#23#0#</u>	Master
	Enable family Email alert	(57) <u>#23#1#</u>	Master
Indicator light	Turn off indicator light	(58) <u>#31#0#</u>	Master
	Turn on indicator light	(59) <u>#31#1#</u>	Master
Night vision LED setting	Night vision LED lighting mode and time setting	(60) <u>#20#mode#time#</u>	Master
Mains power change alert	Enabled mains power change alert	(61) <u>#35#1#</u>	Master
	Disabled mains power change alert	(62) <u>#35#0#</u>	Master
Check status	Check the present settings and work status of the camera	(63) <u>#10#</u>	Master
	Check firmware version, IMEI and network signal	(64) <u>#40#</u>	Master
Restart	Restart the camera manually	(65) <u>#42#password#</u>	Master
Resetting	Resetting the camera	(66) <u>#19#password#</u>	Master